

# HDL

## Heavy Duty Large Doors



TNR<sup>®</sup> offers rugged durability and high performance drive systems for large door sizes for:

#### **HARSH ENVIRONMENTS**

dirt, dust, rain, snow, temperature

#### **APPLICATIONS**

ideal for heavy industrial and commercial applications, sized for large equipment access

#### **DOOR IMPACT CONCERNS**

easily handles lift truck and heavy vehicle impacts

#### **HIGH WINDLOAD & PRESSURE DIFFERENTIAL**

caused by exterior wind & positive pressure work environments



***Tough 'n' Ready  
For Your Challenging  
Environments***

# HDL Heavy Duty Large

## TNR® leads the way with High Performance, Rugged Roll-up Doors for large openings

Big equipment needs big access openings. TNR® has the Engineering and Field Experience that assures the "Built To Your Needs" attention delivering peace of mind in applications of: heavy manufacturing, steel, pulp & paper, waste management, oil & gas and mining.

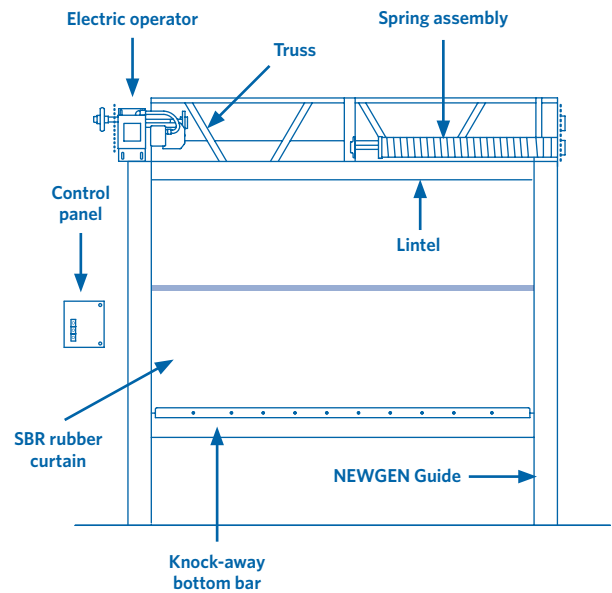
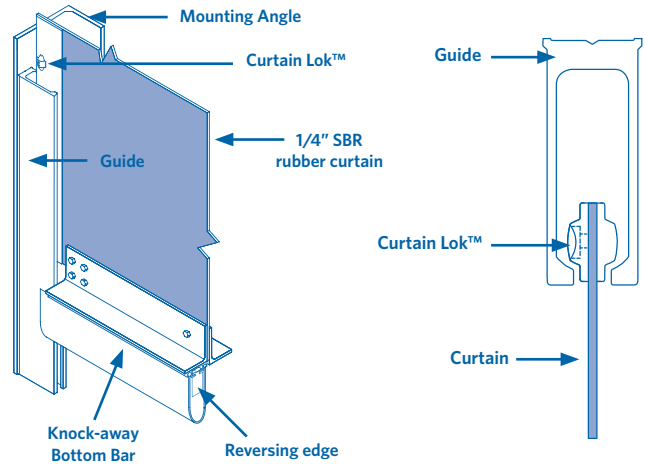
### TNR® Mechanical Features

- 1/4" Black SBR rubber with polyester core weave. Flexible and resistant to abusive environments in temperatures from -40°F to +180°F.
- Patented NEWGEN® guide and Curtain Lok™ system. Reliable and consistent door operation. No guide gap maintenance required.
- Bottom bar with rubber loop.
- Sleek profile with easy installation, reduced clearances & minimal maintenance.
- No hinges, cables, pulleys or tension springs.
- Guide mounted thru-beam photoelectric sensor.
- Options: colors, windows, hoods, reversing edge, traveling windbar and MSHA-rated self-extinguishing curtains.

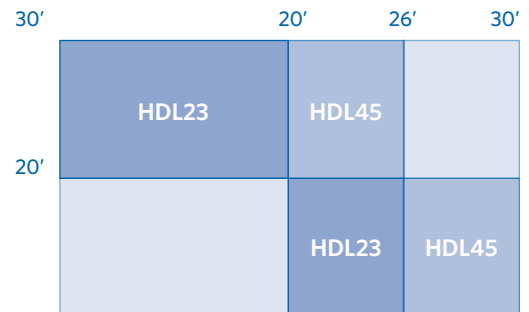
### TNR® Drive Features

- High Efficiency Helical Gear Head (HG) Operator with multi-function capacity PLC Control Panel.
- Door Speed: up to 20 inches per second (HDL23); up to 18 inches per second (HDL45).
- Options: access controls and specialty functions.

### NEWGEN® Guide and Curtain Lok™ system



Standard Features	HDL23	HDL45
Opening Speed—Up to (inches per second)	20	18
Maximum Wind Resistance—88 mph (20 psf)	●	●
Type of Balancing—Counterbalance spring assembly cycle rating (,000)	50	50
Reversing Edge—Pressure sensitive air-wave edge	●	●
Control Panel—PLC or Relay Logic	●	●
Activation—Remotes, pull cords, loop detectors	●	●
Self Supporting Steel Frame—Steel Mounting Angle	●	●
Warranty—Two years on parts and workmanship. Limited lifetime warranty on curtain and NEWGEN® Guide	●	●



Toll-free 1-866-792-9968 Fax 1-705-735-9564 info@tnrdoors.com TNRdoors.com

